

## All Plastic Variable Area

### FLOWMETER MODEL DFM

All Plastic construction variable area flowmeters providing excellent chemical resistance and readability, supplied complete with end connections, either for solvent welding to PVC pipe or threaded. Up to three bi-stable alarms can be fitted to each unit or if required, a 4 to 20 mA transmitter is available.

### ADVANTAGES

- 3-50.000 litres/hour liquid in 13 ranges each with 10:1 operating span
- 6 different overall lengths from 165 – 350mm
- Choice of tube materials depending upon operating temperature and pressure up to 100°C and 10 Bar
- Positive pipe O-ring sealing requiring less tightening effort when installing
- Standard or magnetic floats (where alarms required) of identical mass ensure identical flow ranges when changing



### OPTIONS

#### Bi-Stable Alarms

Operation	Close on rising/falling options
Contacts	240V/5A max
Electrical Connection	2m PVC lead
Protection	IP65

#### Transmitter

Output	4 to 20mA (Active)
Range	10 to 100%
Loop Resistance	1K $\Omega$ max
Resolution	0.1%
Power Supply	24VDC, 50mA
Protection	IP65
Electrical Connection	6-way DIN45322 plug

### TECHNICAL DATA

<b>Tube Material</b>	PVC (Options: Polyamide, Polysulphon)
<b>Float Material</b>	PVDF
<b>Float Trap</b>	PVDF
<b>Union Nut</b>	PVC (Options: Cast Iron, St/steel)
<b>Inserts</b>	PVC (Options: St/steel)
<b>O-rings</b>	EPDM (Options: Viton, Teflon)
<b>Max. Pressure</b>	10 Bar operating (at 20°C)
<b>Installation</b>	Vertical - Flow upwards. For best results ensure pipework vertical to within 2-3°
<b>Nominal Size</b>	DN 25 to DN 65 (1" to 2½")
<b>Temperature</b>	PVC-U -20°C bis +60°C PAO -0°C to +75°C PSU -0°C to +100°C PVDF -40°C to +120°C
<b>Connections</b>	Rigid PVC socket connections for adhesive pipe coupling, BSP threads available Special stainless steel inserts available

## SIZING TABLE DFM 350

Nominal Size DN Ins BSP	Socket Bore 'd' mm	Air Range Nm <sup>3</sup> /Hr 1 Bar Abs 20 deg C	Water Range L/hr 20 deg C	PVC Tube		Polyamide Tube		Polysulphon Tube	
				Std Float	Mag Float	Std Float	Mag Float	Std Float	Mag Float
1"	33.6	0.7-5.5	15-150	46274	47578	46301	47605	46328	47632
1"	33.6	1.0-10.0	300-300	46275	47579	46302	47606	46329	47633
1"	33.6	2.5-20	60-600	46276	47580	46303	47607	46330	47634
1"	33.6	4-34	100-1000	46277	47581	46304	47608	46331	47635
1 1/4"	42.2	5-50	150-1500	46279	47583	48306	47610	46333	47637
1 1/4"	42.2	8.5-76	250-2500	46280	47584	46307	47611	46334	47638
1 1/2"	48.3	8-70	200-2000	46284	47588	46311	47615	46338	47642
1 1/2"	48.3	10-90	300-3000	46285	47589	36312	47616	46339	47643
2"	60.3	14-125	400-4000	46289	47593	46316	47620	46343	47647
2"	60.3	22-190	600-6000	46290	47594	46317	47621	46344	47648
2"	60.3	35-300	1000-10000	46291	47595	46318	47622	46345	47649
2 1/2"	75.2	50-500	1500-15000	46295	47599	46322	47626	46349	47653
2 1/2"	75.2	80-720	2500-25000	46296	47600	46323	47627	46350	47654
2 1/2"	75.2	400-1500	10000-50000	46297	47601	46324	47628	46351	47655

## SERIES DFM 335 - 350

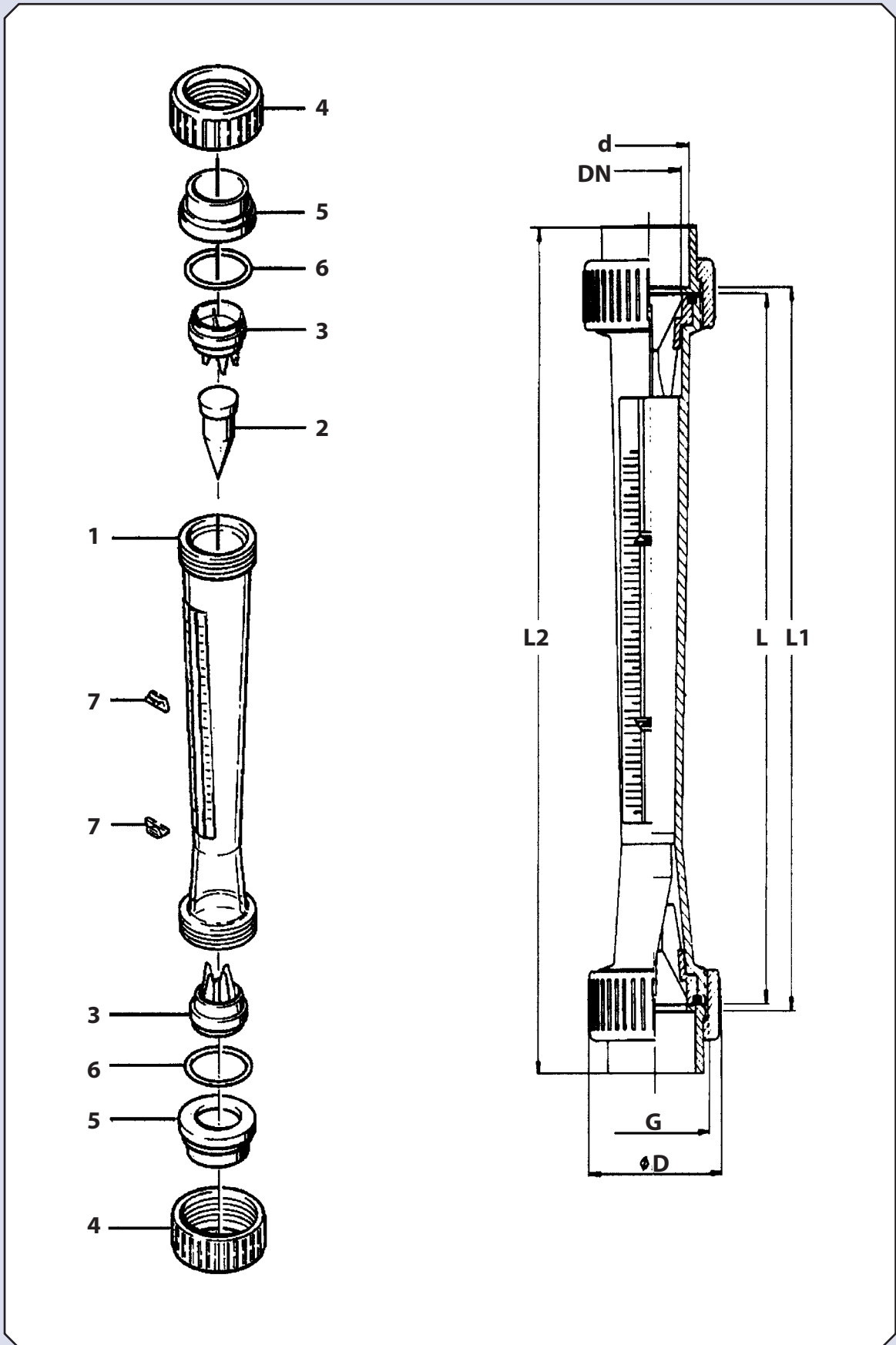
Part	No.	Description
1	1	Measuring tube
2	1	Float
3	2	Float trap
4	2	Union nut
5	2	Insert
6	2	O-rings
7	2	Set-point Indicator

## SERIES DFM 165 - 170 - 185 - 200

Part	No.	Description
1	1	Measuring tube
2	1	Float
3	2	Float trap
4	2	Union nut
5	2	Insert
6	2	O-rings
7	2	Set-point Indicator

## MATERIAL OF CONSTRUCTION

	Standard	Option
Tube	PVC	Polyamide, Polysulphon
Float	PVDF	
Float trap	PVDF	
Union nut	PVC	Cast Iron, St/steel
Insert	PVC	St/steel
O-Ring	EPDM	Viton, Teflon



Series	Dimensional mm		BSPF						P(1) M bar	Weight in grams
	DFM	DN	D	DN Inches	G	D	L	L1		
165	10	16	3/8"	3/4"	35	165	171	199	4.6	78
170	15	20	1/2"	1"	43	170	176	208	4.5	96
185	20	25	3/4"	1 1/4"	53	185	191	229	6.1	125
200	25	32	1"	1 1/2"	60	200	206	250	8.3	250
335	25	32	1"	1 1/2"	60	335	341	385	16.2	435
335	40	50	1 1/2"	2 1/4"	83	335	341	403	16.2	1.005
335	50	63	2"	2 3/4"	103	335	341	417	27.6	1.470
335	65	75	2 1/2"	3 1/2"	122	335	341	429	40.7	1.900
350	25	32	1"	1 1/2"	60	350	356	400	16.2	475
350	32	40	1 1/4"	2"	72	350	356	408	16.2	710
350	40	50	1 1/2"	2 1/4"	83	350	356	418	16.2	1.050
350	50	63	2"	2 3/4"	103	350	256	432	27.6	1.530
350	65	75	2 1/2"	3 1/2"	122	350	356	444	40.7	2.100

(1) Pressure loss with water at 20 deg C

(2) PVDF version approx. +40%

*Every effort has been made during the preparation of this document to ensure the accuracy of statements and specifications. However, we do not accept liability for damage, injury, loss or expense caused by errors or omissions made. We reserve the right to withdraw or amend products or documentation without notice.*

Head Office: 2 Downgate Drive, Sheffield, S4 8BT, England  
Tel: +44(0)114 244 2521 Fax: +44(0)114 243 4838



1-4 Campbell Court, Bramley, Tadley, Hampshire, RG26 5EG, England  
Tel: +44(0)1256 884901 Fax: +44(0)1256 882986  
email: [sales@roxspur.com](mailto:sales@roxspur.com) [www.roxspur.com](http://www.roxspur.com)



CERTIFICATE No. FM22358