



BREARLEY

An **RM&C** Brand

TEMPERATURE

Product Data Sheet

DS2530

Duct Averaging Sensor

NTP1024 DUCT AVERAGING TEMPERATURE SENSOR

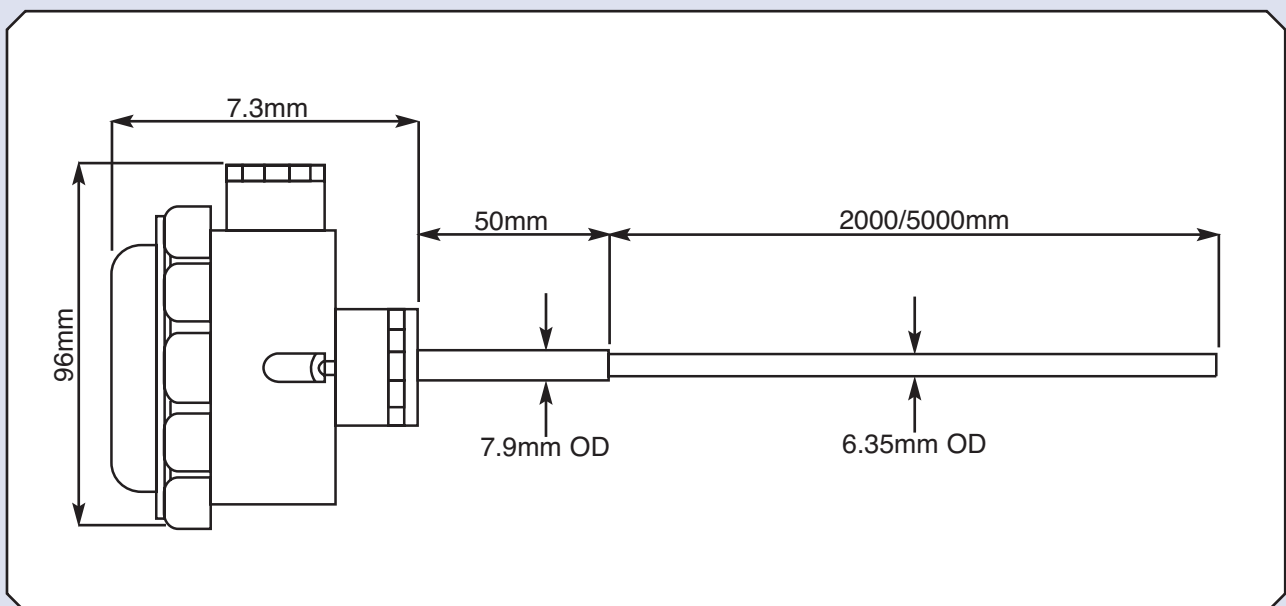
Sensor using a true averaging RTD element to measure average temperature across large ducts.

SPECIFICATION

Sensing Element	Copper (Platinised) 100 ohms at 0°C
Housing	Acrylonitrile Butadiene Styrene (ABS) with mounting slots
Wiring	Two part terminals accepting up to 2.5mm ² wires
Stem	1/4" OD Flexible copper. Standard lengths: 2000mm and 5000mm
Ambient Range	0°C to +70°C (at head)
Temperature Range	-10°C to +110°C
Accuracy	RTD to DIN43760, Class B
Cable Entry	M20 x 1.5mm threaded entry. Cable Glands available
Protection Class	IP67 terminal head
4-20ma Output Option	SEM205/210

FEATURES

- Choice of Sensing Element
- Optional 4-20mA Output Signal
- High Accuracy
- Flexible Probe
- True Average for PT100 Sensor
- Custom Built Versions Available
- Compatible with Most Major BEMS



HOW TO ORDER

NTP1024

LENGTH

In mm

SENSOR

PTB = PT100 Class B
X = Other

OPTIONS

mA = 4-20mA Output
DMF = Duct Mounting
Flange
LPD = In-head Loop
Powered Display
N = No Options

Example: NTP1024/22000/PTB/mA is a PT100 Class B Sensor, 22 Metre Sensing Length, with 4-20mA Output.

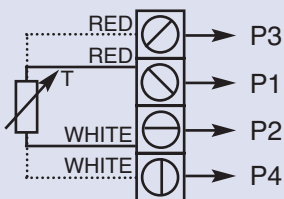
Recommended cable is 7/0.2m (0.22sq mm) screened cable to DEF Stan 61-12 (Part 5)

INSTALLATION

1. Choose a location where there is a good mixed air flow. Avoid areas where the sensor may be subject to hot or cold radiation effects.
2. Drill a clearance hole in the duct for the stem and fix the terminal box directly to the duct using mounting slots provided. These are on 61mm centres.
3. Connect the wires in accordance with the relevant wiring diagram.

WIRING DIAGRAM

(1) RTD (Non Polarised)



..... Optional Connection

NOTES

1. Please specify system type to ensure compatibility.
2. For higher accuracy or custom-built assemblies, please refer to Sales Office.
3. For large users of these items, an own labelling service is available. Please contact Sales Office for full details.

Every effort has been made during the preparation of this document to ensure the accuracy of statements and specifications. However, we do not accept liability for damage, injury, loss or expense caused by errors or omissions made. We reserve the right to withdraw or amend products or documentation without notice.

Head Office: 2 Downgate Drive, Sheffield, S4 8BT, England
Tel: +44(0)114 244 2521 Fax: +44(0)114 243 4838



0043

RM&C Roxspur
Measurement
& Control Ltd

10 Campbell Court, Bramley, Tadley, Hampshire, RG26 5EG, England
Tel: +44(0)1256 884901 Fax: +44(0)1256 882986
email: sales@roxspurmc.co.uk www.controlsdirect.com



CERTIFICATE NO. 22358